

Model 242-J

DC Isolator Unit Operations Manual

SERIAL NUMBER: 0604XXXXX and up

PCB Issue B, 010-0242-001

REVISION: SEPTEMBER 2006

pn 888-0242-004



EBERLE DESIGN INC.

3510 East Atlanta Avenue
Phoenix, AZ 85040 USA
www.EDITraffic.com

Tel (480) 968-6407
Fax (602) 437-1996



THE MODEL 242-J DC ISOLATOR UNIT IS DESIGNED AND
MANUFACTURED IN THE USA BY
EBERLE DESIGN INC
PHOENIX, ARIZONA
AN ISO 9001:2008 REGISTERED COMPANY.

INFORMATION CONTAINED HEREIN IS PROPRIETARY TECHNICAL
INFORMATION OF EBERLE DESIGN INC. PUBLICATION,
REPRODUCTION OR USE IN WHOLE OR PART IS NOT PERMITTED
EXCEPT UNDER TERMS AGREED UPON IN WRITING.
U.S. PATENT NO. 7,855,893

© COPYRIGHT 2006 EDI

Table of Contents

1.1 Glossary	1
1.2 General Description	1
1.3 General Characteristics	1
1.4 Installation and Adjustments	2
1.4.1 Output Polarity	2
1.4.2 Output Minimum Pulse Width	2
1.5 Theory of Operation	2
1.5.1 System Description	2
1.5.2 Input Circuit	3
1.5.3 MCU Circuit	3
1.5.4 Output Circuit	3
1.5.5 Display and Switch Circuit	4
1.5.6 Power Supply Circuit	4
1.6 Maintenance	4
1.6.1 Trouble Analysis	4
1.6.2 Trouble Shooting Sequence	4
1.7 Specifications	5
1.7.1 Construction	5
1.7.2 Mechanical	5
1.7.3 Environmental	5
1.7.4 Electrical	5
1.7.5 Timing	6
1.7.6 Connections	6
1.8 Parts List and Schematic	7

1.1 GLOSSARY

A - Ampere

°C - Celsius

Component - Any electrical or electronic device

DC - Direct Current

Firmware – Program code embedded into a microcontroller unit

Hz - Hertz

IC - Integrated Circuit

Jumper - A means of connecting/disconnecting two or more conductive by soldering or desoldering a conductive wire or by PCB post jumper

LED - Light Emitting Diode

LOGIC - Negative Logic Convention (Ground True) State

mA - milliAmpere

ms - millisecond

MCU - Micro Controller Unit or microcontroller unit

MOV - Metal Oxide Varistor

Opto-coupler – An integrated circuit that provides electrical isolation

PCB - Printed Circuit Board

RMS - Root-Mean-Square

s – second

Schmitt Circuit – a circuit that provides hysteresis in the threshold

SW – Switch

uF - microfarad

VAC - Voltage Alternating Current

VDC - Voltage Direct Current

1.2 GENERAL DESCRIPTION

The Eberle Design Model 242-J is a dual channel DC Isolator unit designed to meet Caltrans specifications TEES March 2009. The isolator unit occupies one position of a 170 standard input file. The isolator unit card incorporates a double-sided 44 pin edge connector for the connection of power, input, and output signals. Each channel has individual front panel controls for testing the operational mode, and high intensity front panel LEDs which are used to indicate the output state. Outputs are optically-isolated solid-state transistors.

1.3 GENERAL CHARACTERISTICS

Each channel of the Model 242-J provides input hysteresis and digital filtering to qualify the input signal. An input signal must meet the minimum pulse requirements specified in section 1.7.5 in order to produce a valid output. The output pulse width for both channels can be set to 100 milliseconds minimum by installing jumper SEL3.

Both the input and output circuits have been designed for maximum protection from electrical transients. The inputs have been designed to withstand the discharge of a 10 uF capacitor charged to +/- 1000 Vdc directly across the input pins, and a discharge of a 10 uF capacitor charged to +/- 2000 Vdc applied through a source impedance of 5 ohms across the input pins or to Equipment Ground. The outputs are protected by a transient clamp diode.

The Model 242-J handle assembly is made of GE Lexan™ Type 121, which is a super durable polycarbonate resin. The design of this assembly strengthens and protects the whole PCB assembly much better than conventional metal face plates.

1.4 INSTALLATION AND ADJUSTMENTS

Installation of the unit consists of plugging into the appropriate slot of the Input File and connecting the assigned inputs to the proper cabinet terminals. The edge connector is keyed to prevent incorrect installation. Following power-up, a front panel LED test will illuminate both OUT indicators for two seconds.

1.4.1 OUTPUT POLARITY

If desired, the output polarity for Channel 1 and Channel 2 can each be inverted by installing optional jumpers SEL1 and SEL2 respectively.

Polarity Jumper	Input	Output
OFF	True	True
	False	False
ON	True	False
	False	True

1.4.2 OUTPUT MINIMUM PULSE WIDTH

If desired, the output pulse width for both channels can be set to 100 milliseconds minimum by installing jumper SEL3.

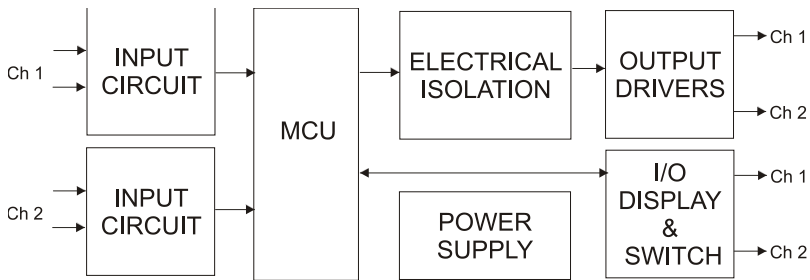
1.5 THEORY OF OPERATION

Reference designators shown are for Channel 1. Reference designators for channel 2 are shown in parenthesis.

1.5.1 SYSTEM DESCRIPTION

The sensor circuitry can be broken down into seven major blocks. Each "Input Circuit" block contains the electrical transient devices and the input biasing circuit. Although the Model 242-J has two DC inputs, a single digital processing section is used to process both inputs.

The microcontroller unit "MCU" Block provides the input voltage threshold and input pulse width filtering function on both channel 1 and channel 2 DC input circuits.



The MCU then controls the OUTPUT and DISPLAY blocks appropriately. If jumper SEL3 is installed a valid input pulse will generate an output pulse of 100 milliseconds minimum.

The microcontroller also reads the state of the TEST switches on the front panel. If the TEST switch is in the ON (locked) or MOM (momentary) position it will force the output to the asserted (True) state regardless of the input circuit state. The TEST switches are processed through the MCU for pulse width input and output requirements.

Valid output calls are made via optically isolated solid state transistors. Output calls are indicated on the front panel by means of high intensity LEDs labeled "OUT".

The Model 242-J operating voltage is generated by a high efficiency off-line switching power supply. The VDD supply for the microcontroller and display elements results from a post regulated 5 Vdc.

1.5.2 INPUT CIRCUIT

Resistors R5, R7, R11, and R12 (R6, R8, R13, and R17) provide the input bias and voltage scaling circuit. The resulting voltage at U8.8 (U8.9) is then processed by the microcontroller U8. Metal Oxide Varistor RV4 (RV5) provides input electrical transient protection.

1.5.3 MCU CIRCUIT

The microcontroller U8 processes the input voltages to perform the voltage threshold and pulse width filtering functions. All signal processing is performed in the digital domain and controlled by firmware embedded in the microcontroller. This unit does not rely on analog delay, pulse, or comparator circuits for processing the input signals.

1.5.4 OUTPUT CIRCUIT

The output driver Q2 (Q1) is isolated from both the AC Mains and the internal GND reference of the Model 242-J by opto-couplers U6 (U2). CR1 (CR2) provides electrical transient protection for the output driver Q2 (Q1).

1.5.5 DISPLAY AND SWITCH CIRCUIT

The LED indicator DS1 (DS2) for the channel output is driven directly from the microcontroller U8. The input TEST switch SW4 (SW5) is read by the microcontroller U8 using strobe U8.19 (U8.18).

1.5.6 POWER SUPPLY CIRCUIT

The main power supply is a fully isolated switching design. MOV RV7 provides electrical transient protection. The AC Mains voltage is rectified and charges C3 to a nominal 170 Vdc. Controller U1 drives transformer T1 at approximately 144 KHz to produce an isolated DC voltage at C15, C16, and C17. Inductor L1 and C14 filter the high frequency switching noise. The resulting voltage at VCC is regulated to 19.0 +/- 1 Vdc. The opto-coupler U4 and reference U5 provide the closed loop feedback to the power supply controller U1 for regulation. Regulator VR1 regulates VCC down to 5.0 Vdc for the microcontroller U8.

1.6 MAINTENANCE

The Model 242-J requires no adjustments or preventive maintenance.

1.6.1 TROUBLE ANALYSIS

The following list should be used to trouble-shoot the Model 242-J installation. If the Model 242-J unit itself is suspect, see Section 1.6.2 for a complete internal testing sequence.

- a. Neither channel responds to DC inputs
 - a. Power supply fault

The Model 242-J requires a 115 Vac nominal supply. The unit will operate at voltages as low as 80 Vac, however, an AC Mains voltage below this may result in the unit entering a reset state. In this case, the unit will appear to be non-functional.
 - b. Channel does not detect all inputs
 - a. Input voltage or pulse width does not meet the requirements of section 1.7.4 or 1.7.5.

Verify that the DC input voltage level is less than the DC Inputs True specification. Verify that the DC input pulse width is greater than the Input Pulse Width Accept specification.

1.6.2 TROUBLE SHOOTING SEQUENCE

Apply 115 Vac nominal mains power to AC+ pin J1-N referenced to AC-pin J1-M. Connect a jumper circuit to the DC inputs J1-D (J1-J) and J1-E (J1-K) to simulate the closure of the input contacts. The following signal measurements are referenced to test point "GND".

NOTE: internal test point "GND" is isolated from AC-. Care should be exercised in probing internal test points.

- a. Input Bias Power Supply

Voltage at test point V_UNF should be 19 ± 1 Vdc.

Possible component faults are: controller U1, diodes CR10 and CR14, transformer T1, inductor L1, or opto-coupler U4.

b. Regulated Power Supply

Voltage at test point VDD should be 5 ± 0.2 Vdc.

Possible component faults are: voltage regulator VR1.

c. Microcontroller

Waveform at pin 5 of P1 (or U8.18) should be a 2.5 us high to low pulse every 1 millisecond.

Possible components at fault are: microcontroller U8.

d. Output Circuit

Output signals are processed by the microcontroller U8 and appear at U8.6 (U8.5) and on the display LEDs but are not appearing at the output pins.

Possible components at fault are: opto-coupler U6 (U2), output transistor Q2 (Q1).

1.7 SPECIFICATIONS

1.7.1 CONSTRUCTION

Printed circuit boards are double sided 2 oz. (56.70 gm.) copper with plated through holes. Circuit boards are coated for environmental protection.

1.7.2 MECHANICAL

Height	4.50 inches
Width	1.2 inches
Depth (excluding handle).....	6.875 inches

1.7.3 ENVIRONMENTAL

Storage Temperature Range	-45 to +85 °C
Operating Temperature Range.....	-34 to +74 °C
Humidity Range (non-condensing)	0 to 95% Relative

1.7.4 ELECTRICAL

AC Supply Voltage Minimum	80 Vac
AC Supply Voltage Maximum	135 Vac
AC Supply Power Maximum	2.5 Watts
DC Inputs	
True (low)	less than 8 Vdc
False (high)	greater than 12 Vdc
Optically Isolated Solid State Outputs	
True (low, 50 mA).....	less than 1.5 Vdc
False (high)	greater than 16 Vdc
Maximum Leakage Current (high)	less than 1 uA

Maximum Current..... 50 mA
 Collector Voltage Maximum50 Vdc

1.7.5 TIMING

Input Pulse Width Rejectless than 5 ms
 Input Pulse Width Acceptgreater than 25 ms

1.7.6 CONNECTIONS

Edge Connector mates with connector type Cinch 50-44A-30

PIN	FUNCTION
D	Input CH 1
E	Input CH 1 Common
F	CH 1 Output Collector
H	CH 1 Output Emitter
J	Input CH 2
K	Input CH 2 Common
L	Equipment Ground
M	AC -
N	AC +
W	CH 2 Output Collector
X	CH 2 Output Emitter

1.8 PARTS LIST AND SCHEMATIC

```

-----
|Bill Of Materials for EDI 242-J Issue B Rev A
-----
|Item|EDI Part Number|Qty |Description                               |Reference           |Manufacturer
|-----+-----+-----+-----+-----+-----
|1  |                |1  |(NO COMPONENT)                          |J1                 |
|2  |                |6  |(NO COMPONENT)                          |GND HV+ HV- VCC VDD|
|  |                |  |                                         |V_UNF              |
|3  |                |2  |                                         |M1-2               |
|4  |                |1  |PIC Programming Port                    |P1                 |
|5  |215-5610-S      |4  |Resistor, 560 OHMS, 1/2W, 5%, 2010 surf. mnt. |R5-8               |
|6  |220-5600-S      |2  |RESISTOR, 1W,56 Ohm,5%,2512 SMD         |R3-4               |PANASONIC
|7  |251-1052-S      |3  |RESISTOR, 1/8W, 10.5K, 1%, 1206 surface mount |R11 R13 R30       |
|8  |251-1211-S      |1  |RESISTOR, 1/8W, 1.21K, 1%, 1206 surface mount |R26                |
|9  |251-1961-S      |3  |RESISTOR, 1/8W, 1.96K, 1%, 1206 surface mount |R12 R17 R31       |
|10 |251-8061-S      |1  |RESISTOR, 1/8W, 8.06K, 1%, 1206 surface mount |R25                |
|11 |255-0000-S      |2  |RESISTOR, 1/8W, 0 OHM, 5%, 1206 SMT       |E4 E6              |
|12 |255-0000-S      |3  |RESISTOR, 1/8W, 0 OHMS, 5%, 1206 surface mount |E2 E7 E9          |
|13 |255-1020-S      |3  |RESISTOR, 1/8W, 1K, 5%, 1206 surface mount  |R21 R24 R32       |
|14 |255-1030-S      |2  |RESISTOR, 1/8W, 10K, 5%, 1206 surface mount  |R14-15            |
|15 |255-1040-S      |2  |RESISTOR, 1/8W, 100K, 5%, 1206 surface mount |R22 R33           |
|16 |255-4310-S      |1  |RESISTOR, 1/8W, 430 Ohm, 5%, 1206 surface mount |R27                |

```

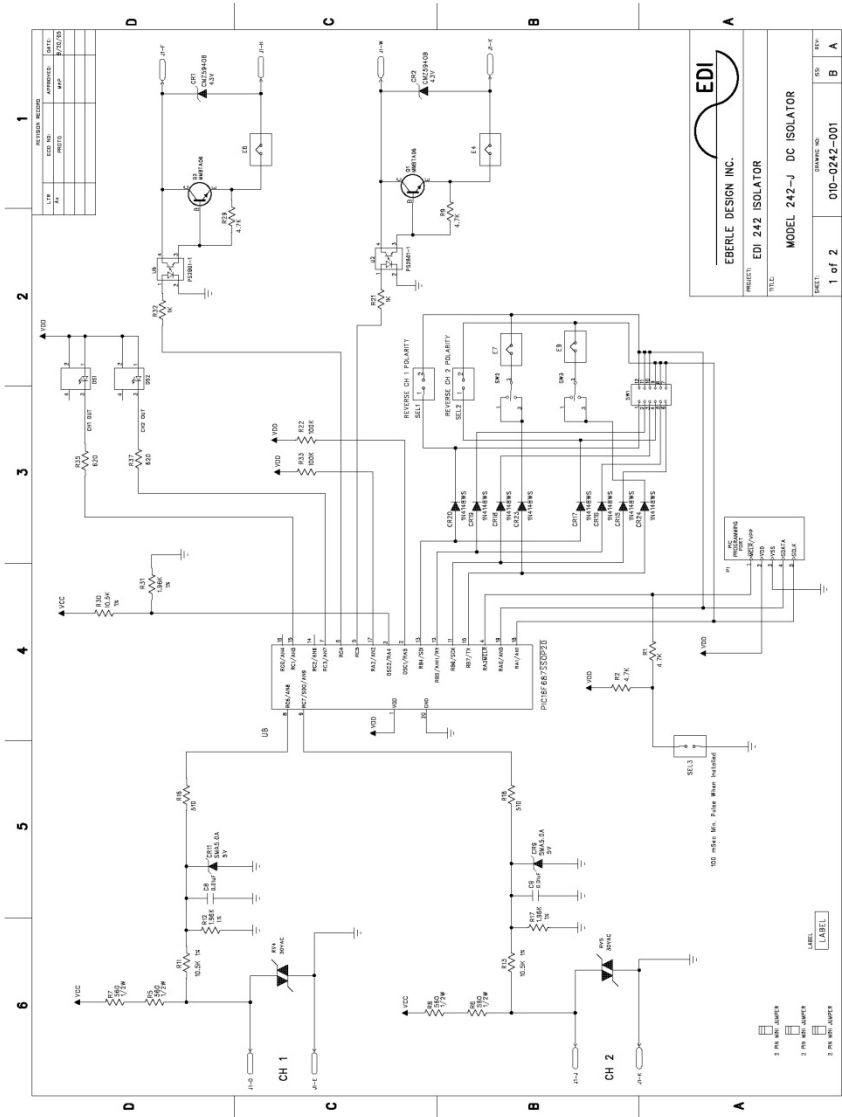
Model 242-J Operations Manual

17	255-4720-S	4	RESISTOR, 1/8W, 4.7K, 5%, 1206 surface mount	R1-2 R9 R29		
18	255-4730-S	2	RESISTOR, 1/8W, 47K, 5%, 1206 surface mount	R19-20		
19	255-5110-S	2	RESISTOR, 1/8W, 510 Ohm, 5%, 1206 surface mount	R16 R18		
20	255-6210-S	2	RESISTOR, 1/8W, 620 Ohm, 5%, 1206 surface mount	R35 R37		
21	300-1070-035S	1	CAPACITOR, ELECTROLYTIC, 100uF, 35V, 20%, SMT,6.3	C7		
			x 8			
22	300-3360-250R	1	CAPACITOR, ELECT, 33uF, 250WV, 20 %, RDL	C3	ILLINOIS 336CKR250M	
23	300-3370-035S	1	CAPACITOR, ELECTROLYTIC, 330uF, 35V, LOW ESR,	C14	ILLINOIS 227AXZ016M	
			20%, SMT			
24	300-3370-035S	2	CAPACITOR, ELECTROLYTIC, 330uF, 35V, LOW ESR,	C16-17	NICHICON	
			20%, SMT		UPL1V221MPH	
25	310-1060-006S	1	CAPACITOR, TANTALUM, 10UF, 6.3V, 20%, 1206 CHIP	C18	PANASONIC	
					ECSTOJY106R	
26	320-1020-050S	2	CAPACITOR, CER.MULT, 0.001uF, 50V, 10%, 1206 CHIP	C10 C13		
27	320-1030-100S	2	CAPACITOR, CER.MULT, 0.01uF, 100V, 10%, 1206 CHIP	C8-9		
28	320-1040-050S	5	CAPACITOR, CER.MULT, 0.1uF, 50V, 10%, 1206 CHIP	C1-2 C15 C19-20		
29	325-1010-500R	1	CAPACITOR, CER.DISK, 100pF, 500V, 10%, RDL	C12	PANASONIC	
30	325-4700-500R	1	CAPACITOR, CER.DISK, 47pF, 500V, 10%, RDL	C11	PANASONIC	
31	335-1040-630R	2	CAPACITOR, 0.1UF, 630V, 10%, METALIZED FILM, 15mm	C5-6		
32	410-0053-S	2	DIODE, TRANS. SUPR., SMA5.0A, 5V,SMA	CR9 CR11	MOTOROLA	
33	410-0140-S	1	DIODE, SCHOTTKY, MBR5140T3, 40V,1A, SMB	CR14	ON SEMI	
34	410-0160-S	1	DIODE, ULTRAFast, MURA160T3, 600V,1A, SMA	CR10	ON SEMI	
35	410-1526-S	1	TRANSORB, SMCJ26A, 26V, 1500W	CR13	DIODES, INC.	
36	410-4005-S	4	DIODE, 1K, 800 PIV, 1A	CR4-7		
37	410-4148-S	8	DIODE, 1N4148WS, SMT SOD323	CR15-20 CR23-24	DIODES INC.	

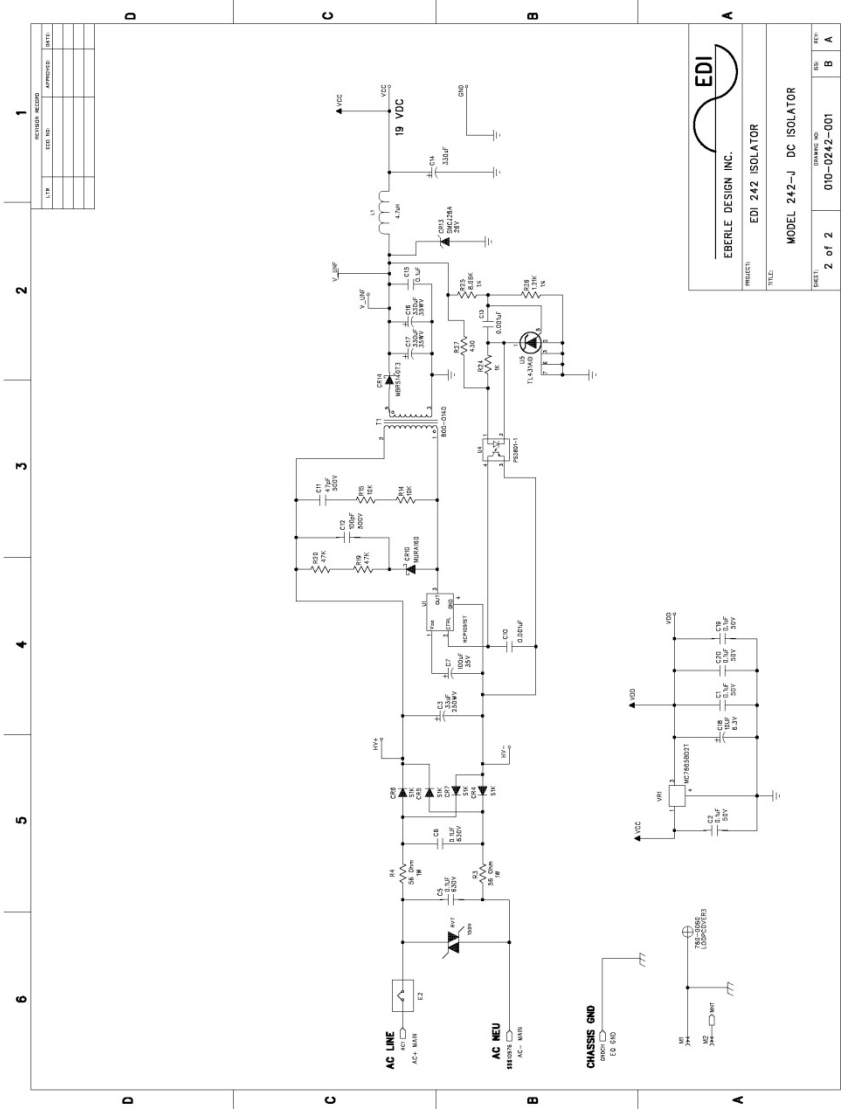
Model 242-J Operations Manual

38	410-4755-S	2	DIODE, ZENER, CMZ5941B, 1.0W, 5%, 43V,SMA	CR1-2		
39	420-2811-S	3	OPTOCOUPLER, PS2801-1, 4 PIN SOP	U2 U4 U6	NEC PS2801-1	
40	425-0319	2	DISPLAY, LED MODULE, DUAL, RA, HIGH BRIGHTNESS,	DS1-2		
			RED ONLY			
41	430-0006-S	2	TRANSISTOR, MMBTA06LT1, NPN, 80V, 500 mA,SOT-23	Q1-2		
42	440-0030	2	REGULATOR, METAL OXIDE VARISTOR	RV4-5		
43	440-0150	1	REGULATOR, METAL OXIDE VARISTOR, S14K150	RV7		
44	440-0431-S	1	REGULATOR, TL431AID, VOLTAGE REF., 1%, SO8	U5	MOTOROLA	
45	440-1051-S	1	REGULATOR, SWITCHING, OFFLINE	U1	ON SEMI	
					NCP1051ST136T3	
46	440-7805-S	1	MC7805BD2T, 5V REG., 1A, D2PAK	VR1	MOTOROLA	
47	485-0687-S	1	PIC16F687-I/SS, PROC, 20PIN SSOP	U8	MICROCHIP	
					PIC16F687-I/SS	
48	520-0102-P	3	Connector, Header, 2 Pin, Samtec	SEL1-3		
49	610-0055	2	SWITCH, SPDT, ON-OFF-MOM, RIGHT ANGLE, GOLD	SW2-3	C&K 7101MD9ABE	
			CONTACTS			
50	780-0060	1	LM222 FACEPLATE AND ENCLOSURE	CVR1	AZ-MEX PLASTICS	
51	800-0140	1	TRANSFORMER, PCMT, OFFLINE,2.5W	T1	TRANSTEK MAGNETICS	
					TMP60543CT	
52	850-0047-S	1	INDUCTOR, 4.7uH, SMT 1210	L1		
53	NO COMPONENT	1	NO COMPONENT	SW1		

Model 242-J Operations Manual



Model 242-J Operations Manual



Model 242-J Operations Manual

