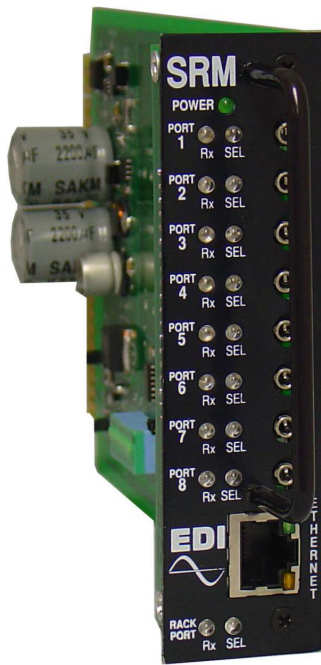


Serial Router Module



RACK MOUNTED ETHERNET TO SERIAL ROUTER

- Interface to eight external EIA-232 ports and up to sixteen Loop Detectors in a NEMA TS-2 or ITS Cabinet compliant Detector Rack
 - Detector Rack form factor
 - Ethernet to Oracle ECX Advanced Detectors
 - Ethernet to legacy cabinet devices with EIA-232 Ports
- ☐ Collect advanced Count data and Status from Oracle ECX Detectors
 - ☐ Remotely Configure and Monitor Oracle ECX Detectors
 - ☐ Communicate remotely through a LAN to non-Ethernet cabinet devices

SERIAL ROUTER MODULE (SRM) ENHANCED FEATURES

Nema TS2-2003 Standard: The Serial Router Module meets all environmental specifications of the NEMA Standard TS2-2003.

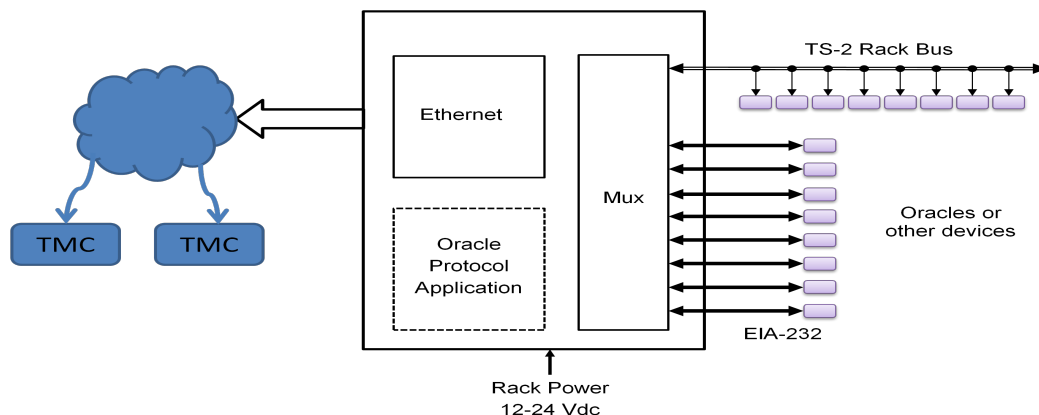
Ethernet Communications: The Serial Router Module connects to a LAN or other IP enabled device using an Ethernet Port.

SRM Configuration: Configure the SRM via EDI SRM Protocol or through a standard web browser interface.

External Serial Ports: Eight Mini-jack connections available to EIA-232 compliant devices. Using Oracle ECX detectors, this can provide access to 32 channels of detection.

NEMA TS-2 RACK Communication: The SRM supports up to 16 addresses on the NEMA TS-2 Detector Rack Bus. Using Oracle 4ECX detectors, this can provide direct access to 64 channels of detection and count data.

EDI SRM Protocol Control port for configuration and routing control. Data port communication is protocol independent.



EBERLE DESIGN INC.

3510 East Atlanta Avenue
Phoenix, AZ 85040 USA
www.EDITraffic.com

Tel (480) 968-6407
Fax (602) 437-1996

