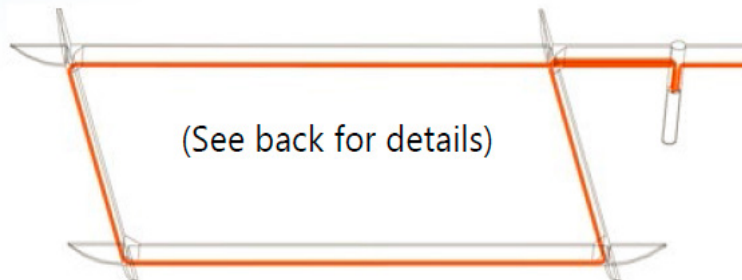


PLB

Performed Loop



(See back for details)

Installs in a 1/4" (0.64 cm) wide saw



Unique design allows

- adjustment of the loop cable in the saw cut for an exact fit.

Extra loop cable is provided to

- compensate for variations in the saw cuts

All insulation is Cross-linked Polyethylene (XLPE).

-

Loop / Lead-in cables are

- flexible and can be configured for any loop geometry

No need for 45o saw cuts at corners. Just remove sharp corners

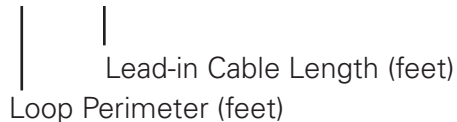
-

Cables are filled with water

- block gel to prevent moisture penetration

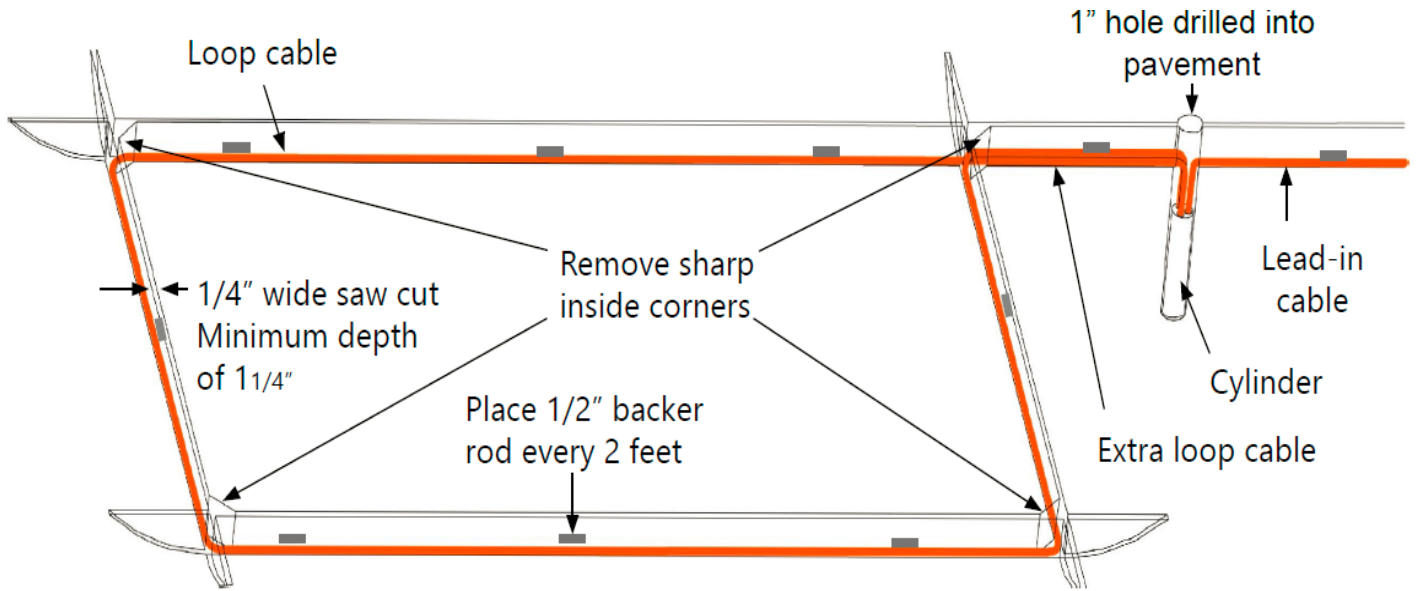
Ordering Information:

Model PLB - XXXX - XXX



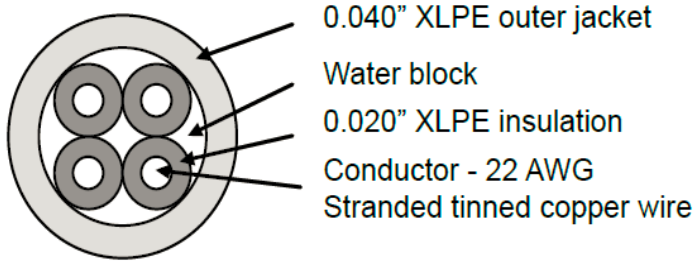
The Model PLB Performed Loop is a prefabricated loop lead-in assembly designed to be installed in a 1/4" (0.64 cm) saw cut. The PLB is designed to maximize durability, minimize water penetration, and maintain a flexible form that is easy to install and handle. Wire insulation and cable jackets are constructed with the optimal thickness of Cross-linked Polyethylene (XLPE) necessary to ensure a long, trouble free life. XLPE insulation provides excellent thermal, electrical, and physical properties and is recognized for its outstanding resistance to moisture and chemicals.

PLB Installation Overview

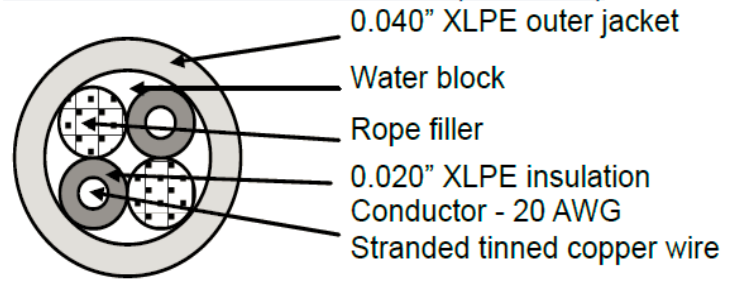


Specifications

Loop Cable - 0.230" O.D. (Nominal)



Lead-in Cable - 0.230" O.D. (Nominal)



The slice enclosure is a 0.95" cylinder 3.8" long. The loop and lead-in wires are soldered and individually sealed. The cylinder cavity is filled with water block material. Each Preformed Loop is soaked in salt water for 3 days. After the 3 day soak each loop and lead-in assembly must measure greater than 10 gigohms using a 500 VDC megohmmeter. The measurement is made between the copper wire and the salt water.

Loop cable is flexible and suitable for any loop geometry.

