

II. Installation

The Phase Green Interface Module mounts on a terminal strip with 0.563" spacing. All modules are shipped with a terminal strip.

Mounting the Terminal Strip

Use the mounting template to locate a suitable mounting location for the terminal strip. Insure the modular plug cable is long enough when routed from the detector to the module.

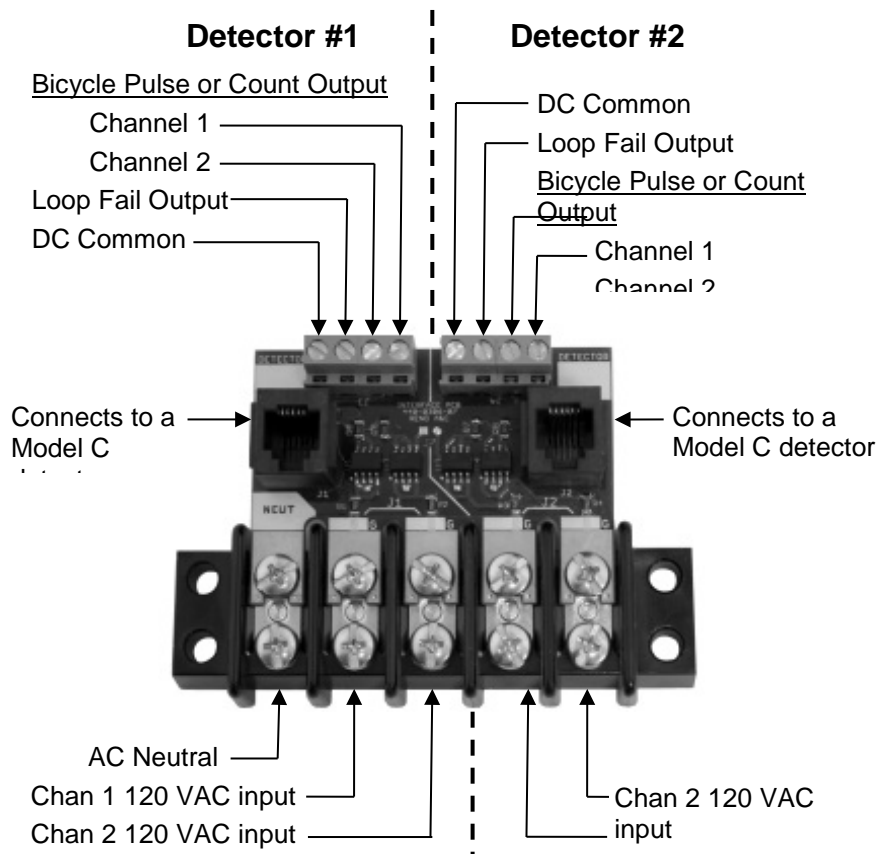
Mount the Phase Green Interface Module

Loosen the screws on one side of the terminal strip and slide the module under all five of the screws. Tighten all five screws.

Connect the Phase Green Interface Module to the Detector(s)

Use the supplied modular plug cable to connect the Phase Green Interface Module to the detector(s).

Wiring



3510 E. Atlanta Ave.
Phoenix, AZ 85040 USA
Telephone: (480) 968-6407
Fax: (602) 437-1996
Website: www.editrtraffic.com
E-mail: contact@editrtraffic.com

Model PGI

Phase Green Interface Module

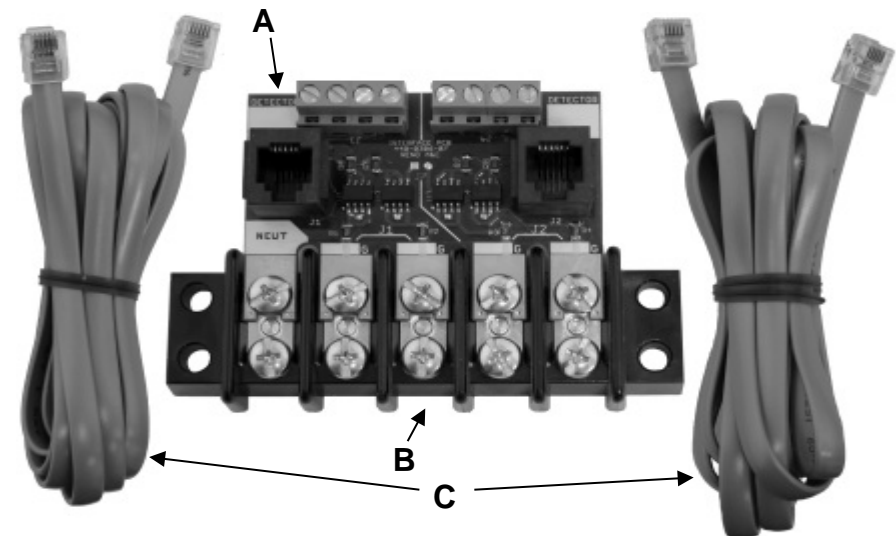
INSTALLATION AND OPERATING INSTRUCTIONS

I. General:

The Model PGI module provides phase green logic to the Model C detectors when the phase green inputs are not provided. The Model PGI module converts four 120 VAC green signals into four low voltage phase green inputs. The Bicycle Pulse output (Model C Bicycle detector) and/or the Count outputs (Models C TrueCount detectors) are available on the Model PGI module. Versions of the Model C have a Loop Fail output. The Loop Fail output is available on the Model PGI module. The Phase Green Interface Module can support two Model C detectors.

Part List

	Qty	Description
A	1	Phase Green Interface Module
B	1	5-position double row terminal strip
C	2	6-conductor flat cable with two 6-pin modular plugs



II. Installation

The Phase Green Interface Module mounts on a terminal strip with 0.563" spacing. All modules are shipped with a terminal strip.

Mounting the Terminal Strip

Use the mounting template to locate a suitable mounting location for the terminal strip. Insure the modular plug cable is long enough when routed from the detector to the module.

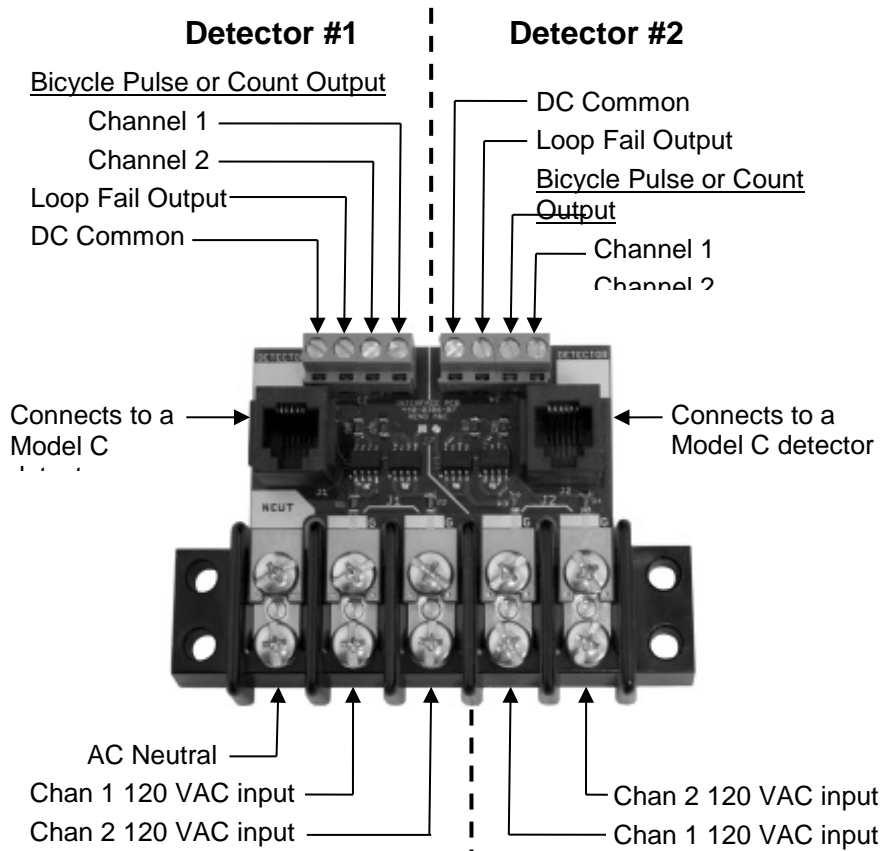
Mount the Phase Green Interface Module

Loosen the screws on one side of the terminal strip and slide the module under all five of the screws. Tighten all five screws.

Connect the Phase Green Interface Module to the Detector(s)

Use the supplied modular plug cable to connect the Phase Green Interface Module to the detector(s).

Wiring



MODEL PGI INSTALLATION INSTRUCTIONS 02-12-2013 (551-0303-00)



3510 E. Atlanta Ave.
Phoenix, AZ 85040 USA
Telephone: (480) 968-6407
Fax: (602) 437-1996
Website: www.editrtraffic.com
E-mail: contact@editrtraffic.com

Model PGI

Phase Green Interface Module

INSTALLATION AND OPERATING INSTRUCTION

I. General:

The Model PGI module provides phase green logic to the Model C detectors when the phase green inputs are not provided. The Model PGI module converts four 120 VAC green signals into four low voltage phase green inputs. The Bicycle Pulse output (Model C Bicycle detector) and/or the Count outputs (Models C TrueCount detectors) are available on the Model PGI module. Versions of the Model C have a Loop Fail output. The Loop Fail output is available on the Model PGI module. The Phase Green Interface Module can support two Model C detectors.

Part List

	Qty	Description
A	1	Phase Green Interface Module
B	1	5-position double row terminal strip
C	2	6-conductor flat cable with two 6-pin modular plugs

